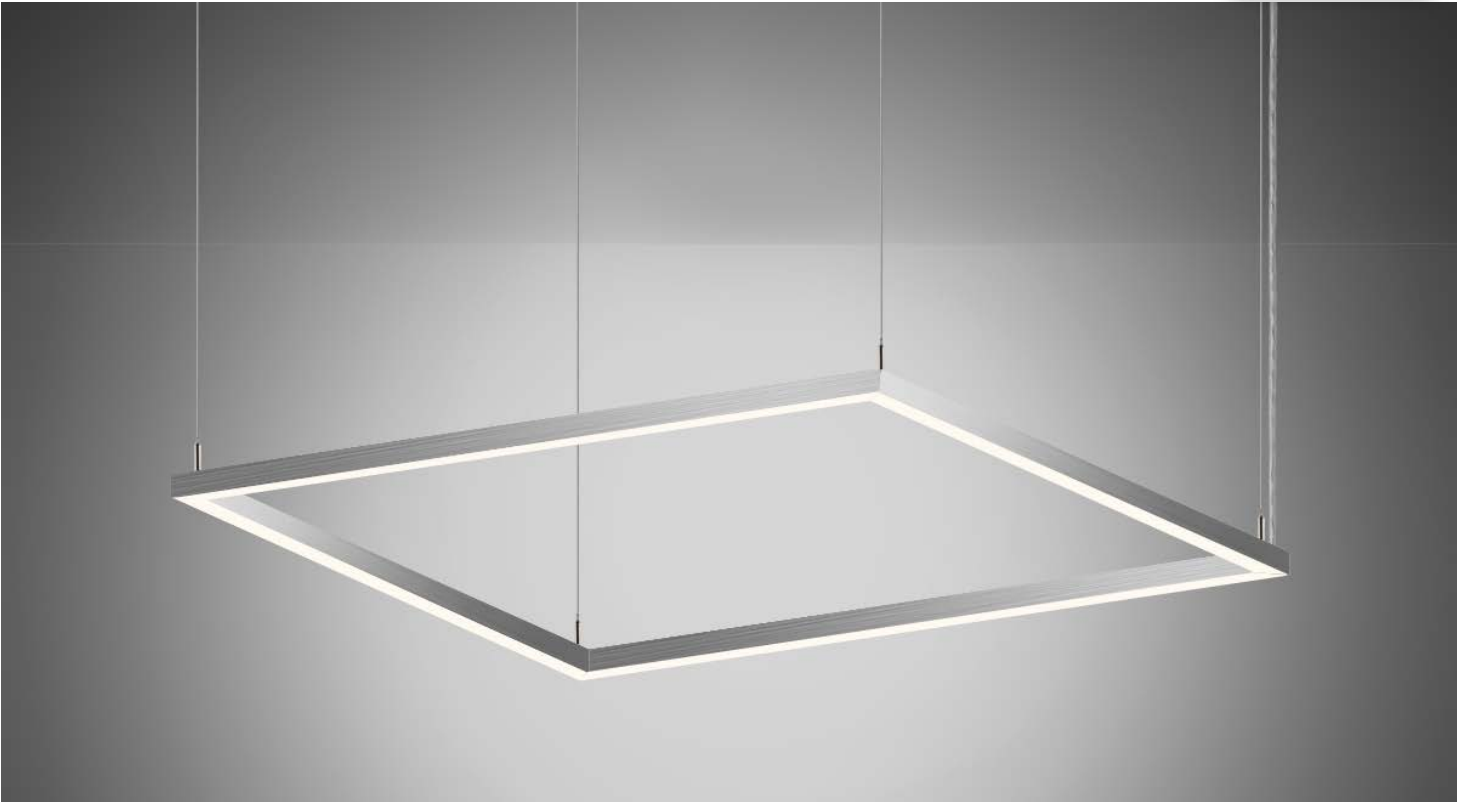
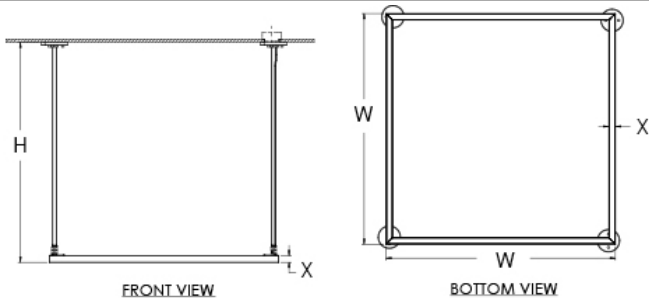


S2C65 Series

Mini-Quatro



DIMENSIONS



W	X	H	BASE MODEL NO.
25"	1 3/8"	60"	S2C65-L48
36 1/2"	1 3/8"	60"	S2C66-L72
48"	1 3/8"	60"	S2C67-L96

SPECIFICATIONS

Driver: 0-10V dimming to 1%, 120/277

Mounting: Mounts to all Standard Electrical Junction Boxes (by others) with Hardware Provided

FEATURES

- Clear Silver Braided Cord with (4) Adjustable Aircraft Cables
- Continuous illuminated downlight lens
- Mitered and Welded Corners
- Constructed of Extruded Aluminum
- LED 0-10V Dimming Driver (in remote box above ceiling)

ORDER AS A COMPLETE UNIT:

Model No. + Lamp Code + Finish + OA + Option Code

S2C65-L48	+	27K	+	PT	CT	+	OA	+	Option
S2C66-L72		30K		BA	PWT				
S2C67-L96		35K		NT	BST				
		40K		GT	TT				
				ZT	CC				

FINISHES

BA Brushed Aluminum	TT Toffee Touch
NT Nickel Touch	PWT Pewter Touch
GT Gold Touch	BST Blackened Steel Touch
ZT Bronze Touch	CC Custom Painted Finish
CT Copper Touch	PT Powder Coated Finishes*

*(Specify Color Code from the list of Powder Coating Finishes)

OPTIONS

- BAC** Buy America; Buy American Act; and Build America, Buy America Act Compliant.
- EML** Remote 10W Emergency LED Battery Backup
- OA** Specify Overall Height of Fixture in Inches; E.G. – OA96
- CCR** Central Canopy Remote Driver